

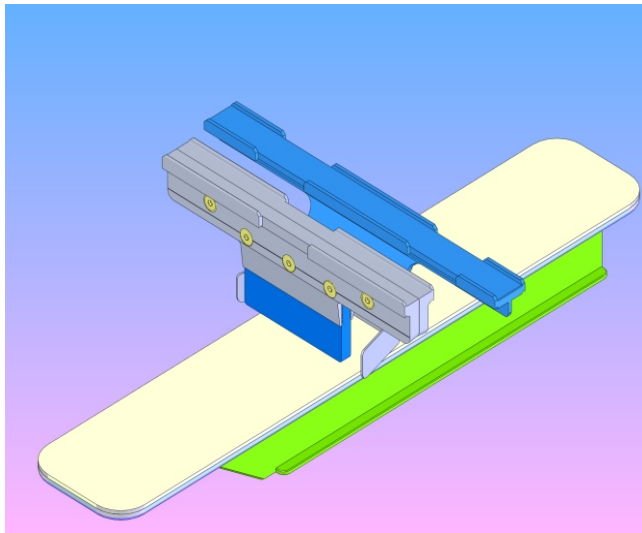
Single Sleeve & Leg Pallets



- ⊕ Pallets
- ⊕ Squeegees
- ⊕ Floodbars



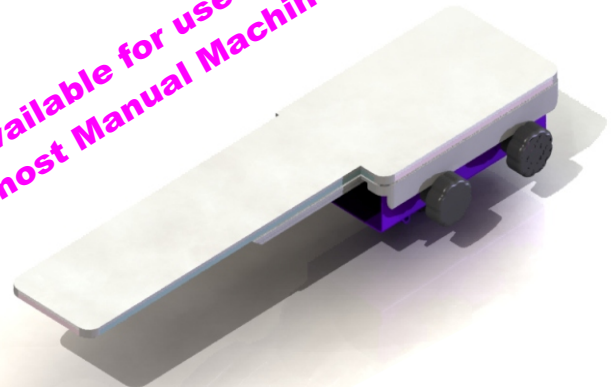
Sleeve Pallets are used for printing on long and short sleeves. They can also be used for decorating pants and legs. The Most common size is the 4 x 22



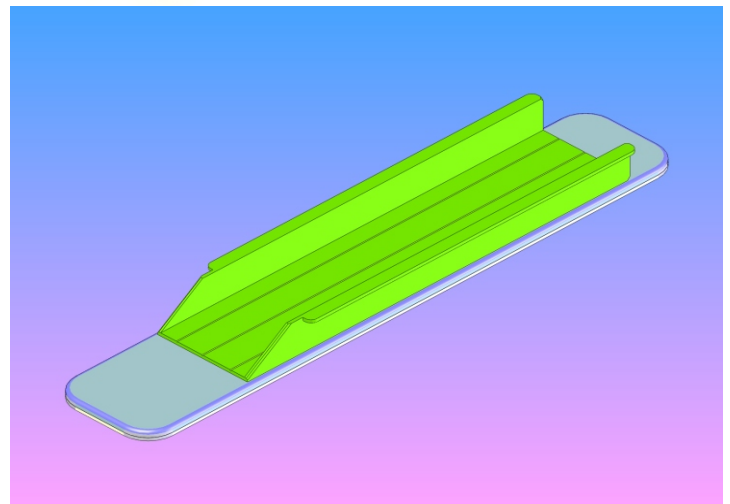
Standard Single Sleeve Pallets - The Bracket on these pallets are shorter than our standard to allow more front end clearance when loading sleeves.

Do you need 5 inch or 6 inch wide ? No Problem. Since we make everything right here, we can complete custom orders for you quickly. Red Carpet Service- Always

Available for use with most Manual Machines



Sleeve Sizes	Leg Sizes
4 x 22	4 x 30
5 x 22	6 x 30
6 x 22	8 x 30



Distributed By: