

TAS Style Production Accessories



Purpose & Features

Introducing the best pallet money can buy for your TAS machine. Available with or without Soft Top Rubber and with or without bottom stabilizer bars. This pallet is made from superior grade aluminum and machined to perfection.



Specialty Pallets

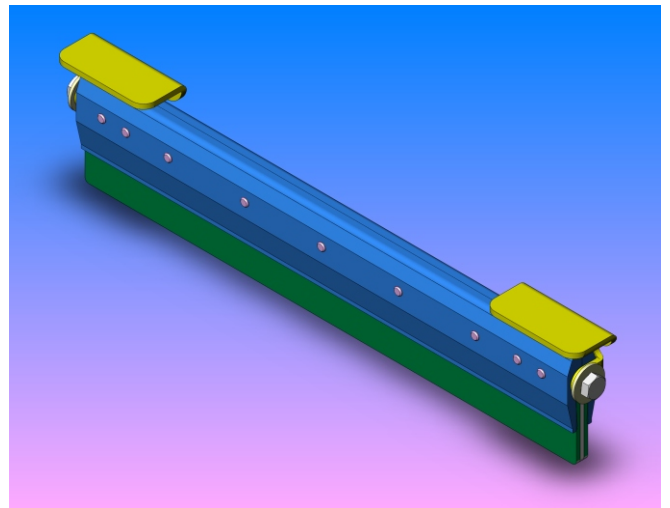
are available for you TUF

Made to order and available in a variety of standard and custom sizes. TAS Quick release Pallets are available when you need them and with options not offered anywhere else.

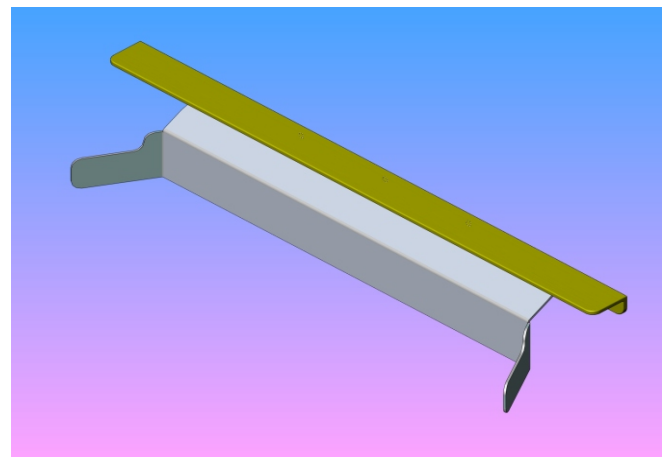
The addition of the optional stabilizing bars on the bottom of the pallet maintain the pallets flatness.

Available Sizes

4" x 24"	16" x 30"
8" x 24"	18" x 24"
10" x 24"	18" x 30"
10" x 30"	20" x 24"
12" x 24"	20" x 30"
12" x 30"	22" x 24"
16" x 24"	22" x 30"



**EZ-Clean Squeegees
& Winged Floodbars**
for use on TAS Machinery



Distributed By: